

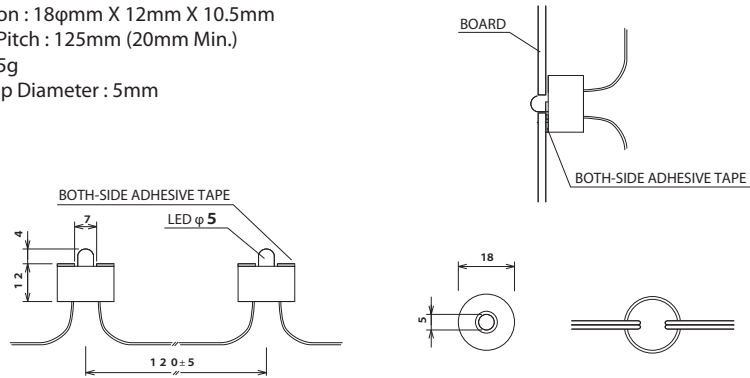
**EASY-INSTALL RECESSED MOUNTING LED MODULES**

STAR DOT is a recess mounting point LED light and it consumes very low DC12V power at 0.24W per module. Its narrow and bright light beam can be seen from far that it is highly recommended for point-of-sale lighting, recess mounted wall lighting and floor point lighting at malls, retail stores, arcades or any place requires people’s attention.

- Guaranteed life time up to 42,500 hours with 70% lighting output  
\*24 hour constant load may result less operating hours with lower lighting output. Estimated lifetime is based on normal usage of 10 hours per day.
- IP68 water proof system
- Uniform color temperature by strictly controlled system of bin rank
- Reverse voltage protection to minimize hassles during installation
- Extremely small and light solution
- 70% more energy efficiency compared to conventional sign lighting source

**PHYSICAL**

Dimension : 18φmm X 12mm X 10.5mm  
 Module Pitch : 125mm (20mm Min.)  
 Weight: 5g  
 LED Lamp Diameter : 5mm



**OPTICAL CHARACTERISTICS**

Available Color	Luminous Flux (lm)			Dominant Wave Length & Color Temperature			Spectral Half Width	Viewing Angle
	Min	Typical	Max	Min	Typical	Max	$\lambda_{1/2}$	$2\theta_{1/2}$
White	-	26	28	-	9,000K	-	-	40
Orange	6	8	9	608nm	610nm	613nm	20	40
Red	6	8	10	623nm	625nm	628nm	20	40
Green	11	14	16	525nm	527nm	530nm	35	40
Blue	-	2.4	-	455nm	460nm	465nm	25	40

\*CRI (Color Rendering Index) for white product types is 70 / \*Spectral width at half of the peak intensity / \*Luminous Flux measuring equipment is CAS140B  
 \*Viewing angle is the off axis angle from lamp centerline where the luminous intensity is half of the peak value / \*CCT 5% tester tolerance  
 \*Dominant wavelength is derived from the CIE 1931 Chromaticity diagram and represents the perceived color  
 \*Color temperature for white is strictly controlled by bin rank system and it consists of three ranks which should not be used simultaneously.

**ELECTRICAL CHARACTERISTICS**

Current dissipation : 20 mA  
 Power Consumption : 0.24 W  
 Operating power : DC 12V  
 Quantity for maximum connection in serial : 50 modules  
 Electronic dimming control supported  
 Constant current drive  
 Reverse voltage protection

**THERMAL**

Cooling : Ambient air  
 Maximum operating temperature : 60°C (140°F)  
 Minimum operating temperature : -25°C (-13°F)  
 Maximum storage temperature : 60°C (140°F)  
 Minimum storage temperature : -30 C (-22 F)

**SAFETY FEATURES**

ESD Protection : Industry standard electro-static discharge protection  
 IP68 : Prevents water & dust penetration, operative under water  
 Reverse voltage protection : Device will prevent incoming power source on improper input connection

**CONSTRUCTION**

White LED Lamp : Superflux LED lamp  
 Color LED Lamp : Superflux LED lamp  
 Body : PVC filled with white epoxy resin  
 PCB : FR-4 fiber glass epoxy resin, quad layered  
 Lead wire : Copper solid wire, semi-rigid PVC, UL VW-1, CSA 80 celsius 300V

**APPLICATIONS**

Border lighting  
 Point-Of-Purchasing signage  
 Wall point lighting  
 Replacement for conventional lighting halogen bulb

**APPROVAL**

EN 55015:2000+A1:2001+A2:2002 Class B  
 EN 61547:1995+A1:2000



**FEATURES**

**42,500H LIFETIME**    **IP68**    **WEATHER PROOF**     **CONSTANT CURRENT DRIVING SYSTEM**     **REVERSE VOLTAGE PROTECTION**     **DC12V**

*Specifications subject to change without notice*